



UNITED STATES PATENT AND TRADEMARK OFFICE

UNITED STATES DEPARTMENT OF COMMERCE
United States Patent and Trademark Office
Address: COMMISSIONER FOR PATENTS
P.O. Box 1450
Alexandria, Virginia 22313-1450
www.uspto.gov

Table with 5 columns: APPLICATION NO., FILING DATE, FIRST NAMED INVENTOR, ATTORNEY DOCKET NO., CONFIRMATION NO. Includes details for application 29/827,201 and examiner information.

Please find below and/or attached an Office communication concerning this application or proceeding.

The time period for reply, if any, is set in the attached communication.

Notice of the Office communication was sent electronically on above-indicated "Notification Date" to the following e-mail address(es):

- arhoades@honigman.com
esosenko@honigman.com
patent@honigman.com



APPLICATION NO.	ISSUE DATE	PATENT NO.
29/827,201	30-Apr-2024	D1024783

Honigman LLP
ENS
650 Trade Centre Way
KALAMAZOO, MI 49002-0402

EGRANT NOTIFICATION

Your electronic patent grant (eGrant) is now available, which can be accessed via Patent Center at <https://patentcenter.uspto.gov>

The electronic patent grant is the official patent grant under 35 U.S.C. 153. For more information, please visit <https://www.uspto.gov/electronicgrants>

United
States
of
America



To Promote the Progress



of Science and Useful Arts

The Director

of the United States Patent and Trademark Office has received an application for a patent for a new, original, and ornamental design for an article of manufacture. The title and description of the design are enclosed. The requirements of law have been complied with, and it has been determined that a patent on the design shall be granted under the law.

Therefore, this United States

Patent

grants to the person(s) having title to this patent the right to exclude others from making, using, offering for sale, or selling the design throughout the United States of America or importing the design into the United States of America for the term set forth by law.

Katherine Kelly Vidal

DIRECTOR OF THE UNITED STATES PATENT AND TRADEMARK OFFICE

Maintenance Fee Notice

No maintenance fees are required in design patents.

Patent Term Notice

If the application for this patent was filed on or after May 13, 2015, the term of this patent is 15 years from the date of grant of this patent, subject to any disclaimer under 35 U.S.C. 253. If the application for this patent was filed prior to May 13, 2015, the term of this patent is 14 years from the date of grant of this patent, subject to any disclaimer under 35 U.S.C. 253.



USOD1024783S

(12) **United States Design Patent** (10) **Patent No.:** **US D1,024,783 S**
Lobbestael et al. (45) **Date of Patent:** **** Apr. 30, 2024**

(54) **CONTAINER**

(71) Applicant: **Mid-America Machining, Inc.,**
Brooklyn, MI (US)

(72) Inventors: **Peter Lobbestael,** Manitou Beach, MI
(US); **Matthew Simpson,** Tecumseh,
MI (US)

(73) Assignee: **Mid-America Machining, Inc.,**
Brooklyn, MI (US)

(**) Term: **15 Years**

(21) Appl. No.: **29/827,201**

(22) Filed: **Feb. 17, 2022**

(51) **LOC (14) Cl.** **09-01**

(52) **U.S. Cl.**
USPC **D9/523; D9/563**

(58) **Field of Classification Search**
USPC D9/516, 523, 528, 530, 541-544, 550,
D9/558-560, 565-575, 682, 687,
D9/693-694, 715, 719; D3/201, 202,
D3/316; D7/509-511, 533, 300, 302,
(Continued)

(56) **References Cited**

U.S. PATENT DOCUMENTS

D195,064 S * 4/1963 Dike D9/543
D303,628 S * 9/1989 Beaver D9/543
D309,100 S * 7/1990 Beaver D9/523
(Continued)

OTHER PUBLICATIONS

Malibu Axis Synthetic Motor Oil. Online, published date Aug. 16, 2023. Retrieved on Nov. 28, 2023 from URL: https://www.malibuparts.com/products/malibu-axis-high-performance-full-synthetic-5w30-motor-oil-quart.*

Primary Examiner — Omeed Agilee

Assistant Examiner — David Truong

(74) *Attorney, Agent, or Firm* — Honigman LLP; Eric J. Sosenko; Jonathan P. O'Brien

(57) **CLAIM**

The ornamental design for a container, as shown and described.

DESCRIPTION

FIG. 1 is a perspective view of a container in accordance with a first embodiment of the new design;

FIG. 2 is a front elevational of the container seen in FIG. 1; FIG. 3 is a back elevational view of the container seen in FIG. 1;

FIG. 4 is a left side elevational view of the container seen in FIG. 1;

FIG. 5 is a right side elevational view of the container seen in FIG. 1;

FIG. 6 is a top plan view of the container seen in FIG. 1; FIG. 7 is a bottom plan view of the container seen in FIG. 1;

FIG. 8 is a perspective view of a container in accordance with a second embodiment of the new design;

FIG. 9 is a front elevational of the container seen in FIG. 8; FIG. 10 is a back elevational view of the container seen in FIG. 8;

FIG. 11 is a left side elevational view of the container seen in FIG. 8;

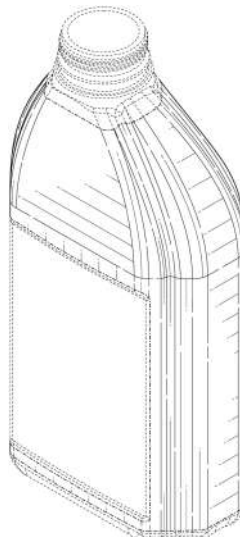
FIG. 12 is a right side elevational view of the container seen in FIG. 8;

FIG. 13 is a top plan view of the container seen in FIG. 8; and,

FIG. 14 is a bottom plan view of the container seen in FIG. 8.

The dashed lines in the drawings depict portions of the container that form no part of the claimed design. The dash-dot lines in the drawings define the bounds of the claimed design and form no part thereof.

1 Claim, 10 Drawing Sheets



(58) **Field of Classification Search**

USPC D7/318, 320; D24/107, 121-123, 216,
D24/217, 219, 223-226
CPC ... B65D 1/00; B65D 1/02; B65D 1/12; B65D
1/18; B65D 1/20; B65D 1/0223; B65D
23/00; B65D 21/0237; B65D 2501/009;
B65D 2501/0081; B65D 2543/00296;
B65D 2543/00092; B65D 41/26; B65D
2501/00; B65D 2501/0009

See application file for complete search history.

(56) **References Cited**

U.S. PATENT DOCUMENTS

D379,308	S	*	5/1997	Beaver	D9/543
5,918,753	A	*	7/1999	Ogg	B65D 1/0223 220/675
D449,538	S	*	10/2001	Burleson	D9/530
D747,205	S	*	1/2016	Schlott	D9/523
D773,308	S	*	12/2016	Beckerman	D9/530
D778,163	S	*	2/2017	Dilley	D9/563
D787,266	S	*	5/2017	Sonnichsen	D9/530
D822,492	S	*	7/2018	Clemence	D9/523
D863,967	S	*	10/2019	Ruble	D9/530
D889,268	S	*	7/2020	Gooden	D9/530
D898,577	S	*	10/2020	Danyluk	D9/528
D950,386	S	*	5/2022	Barber	D9/523

* cited by examiner

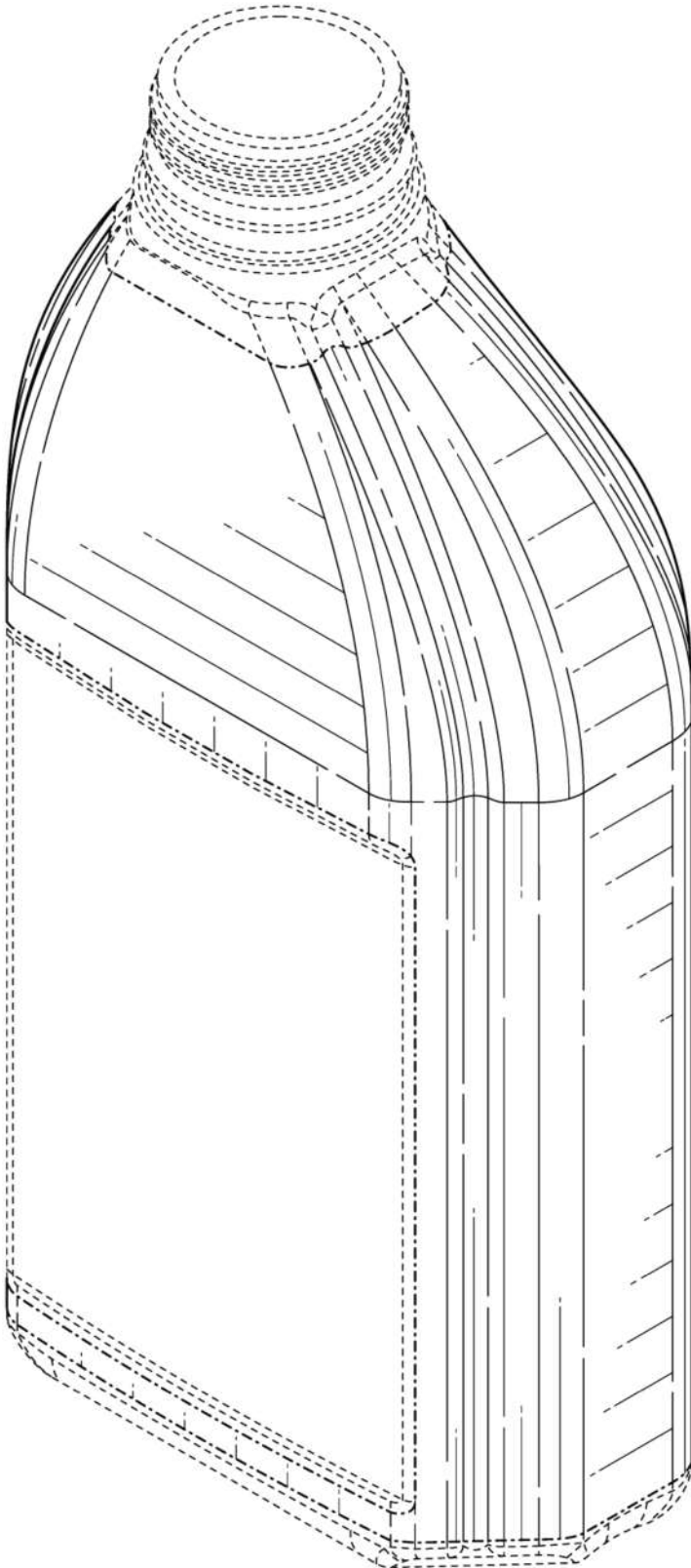


FIG. 1

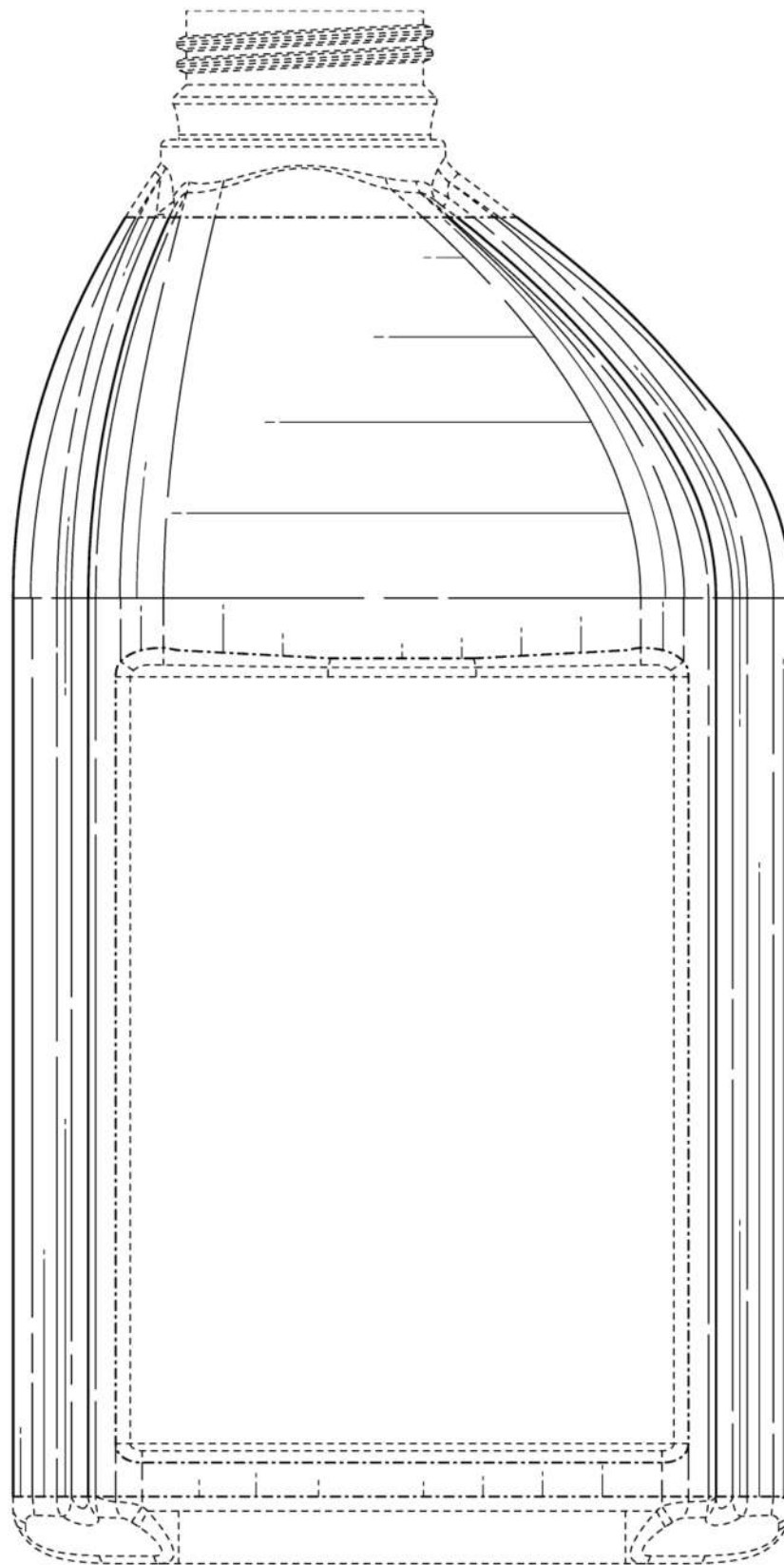


FIG. 2

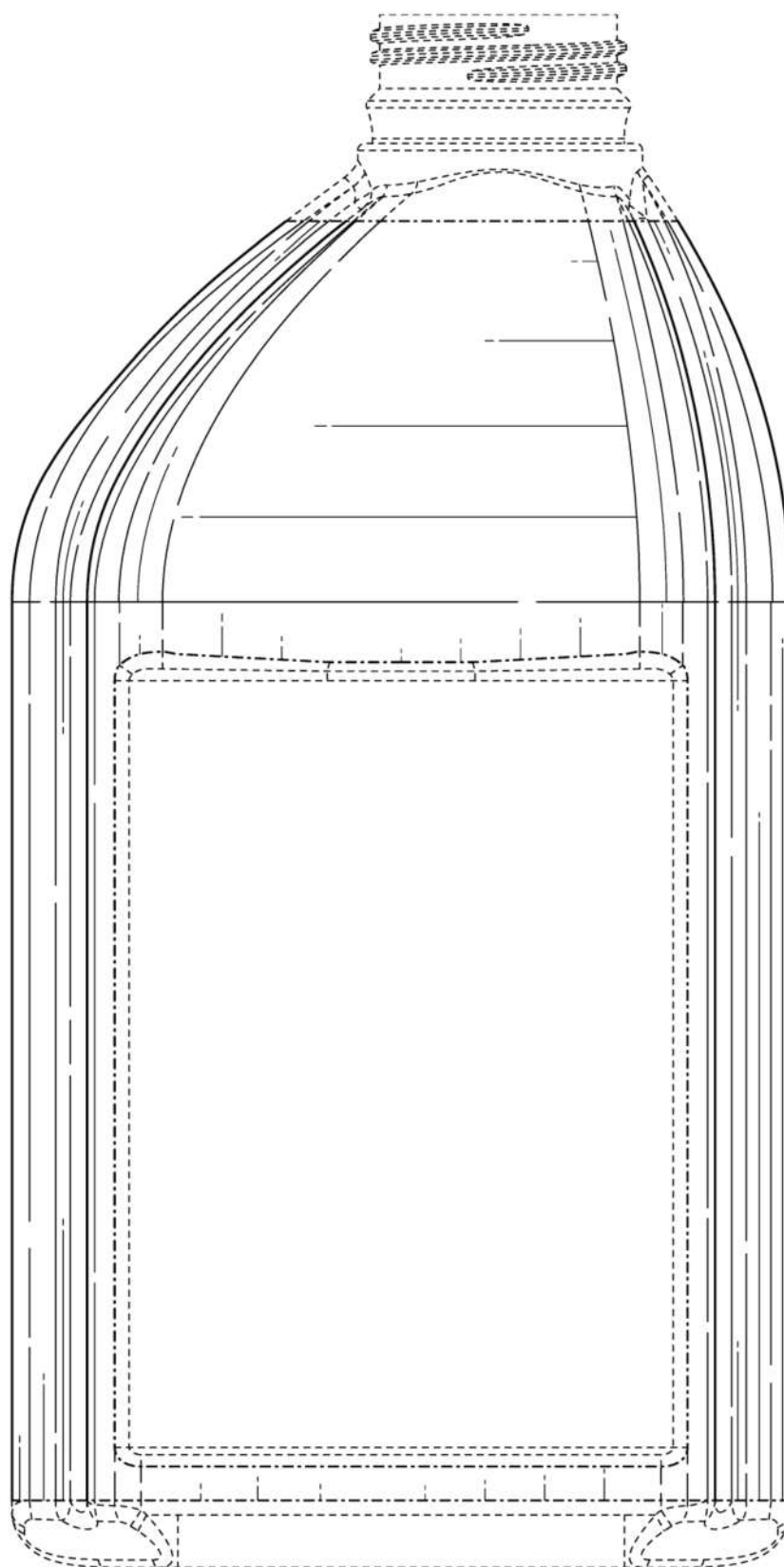


FIG. 3

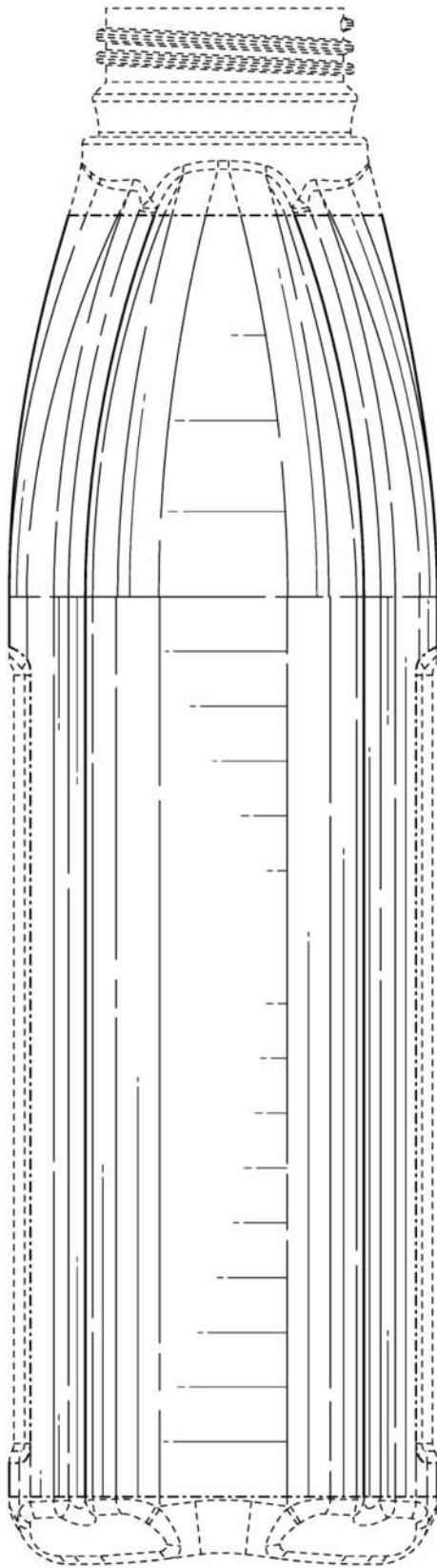


FIG. 4

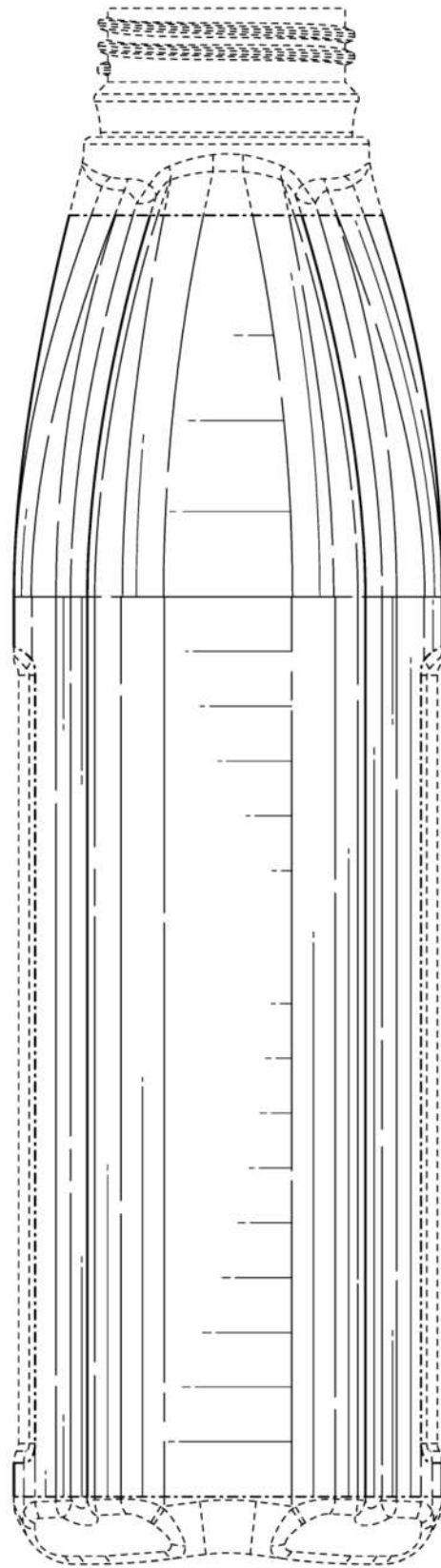


FIG. 5

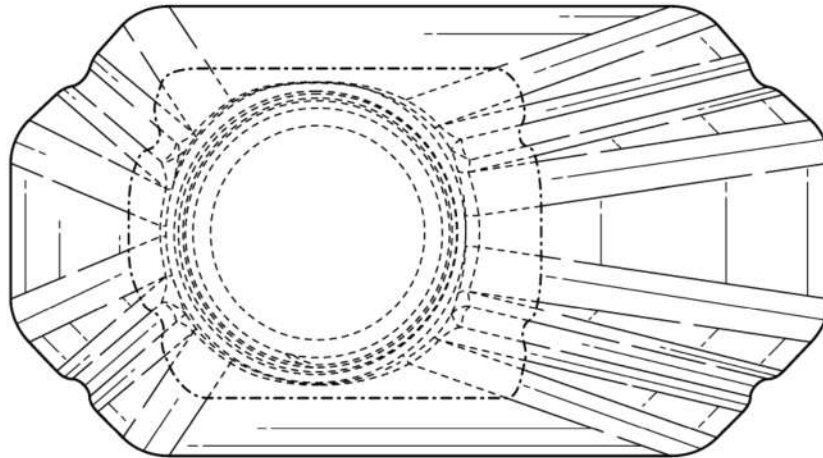


FIG. 6

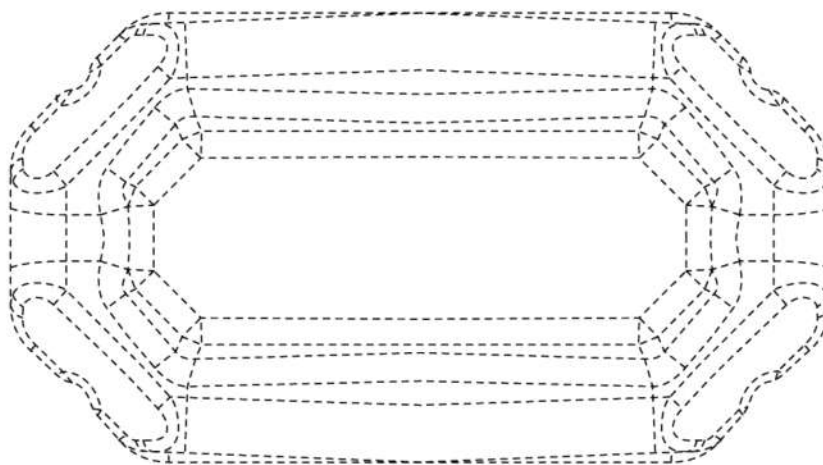


FIG. 7

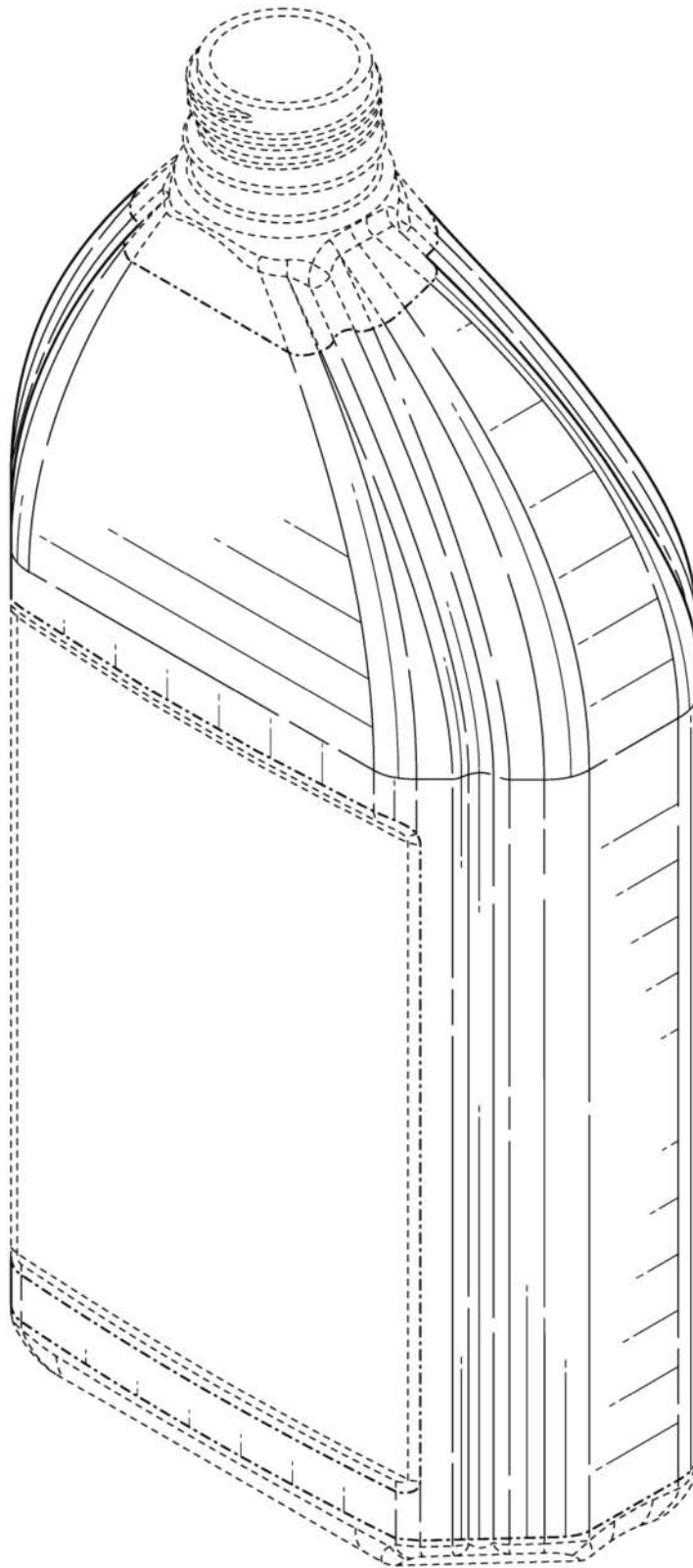


FIG. 8

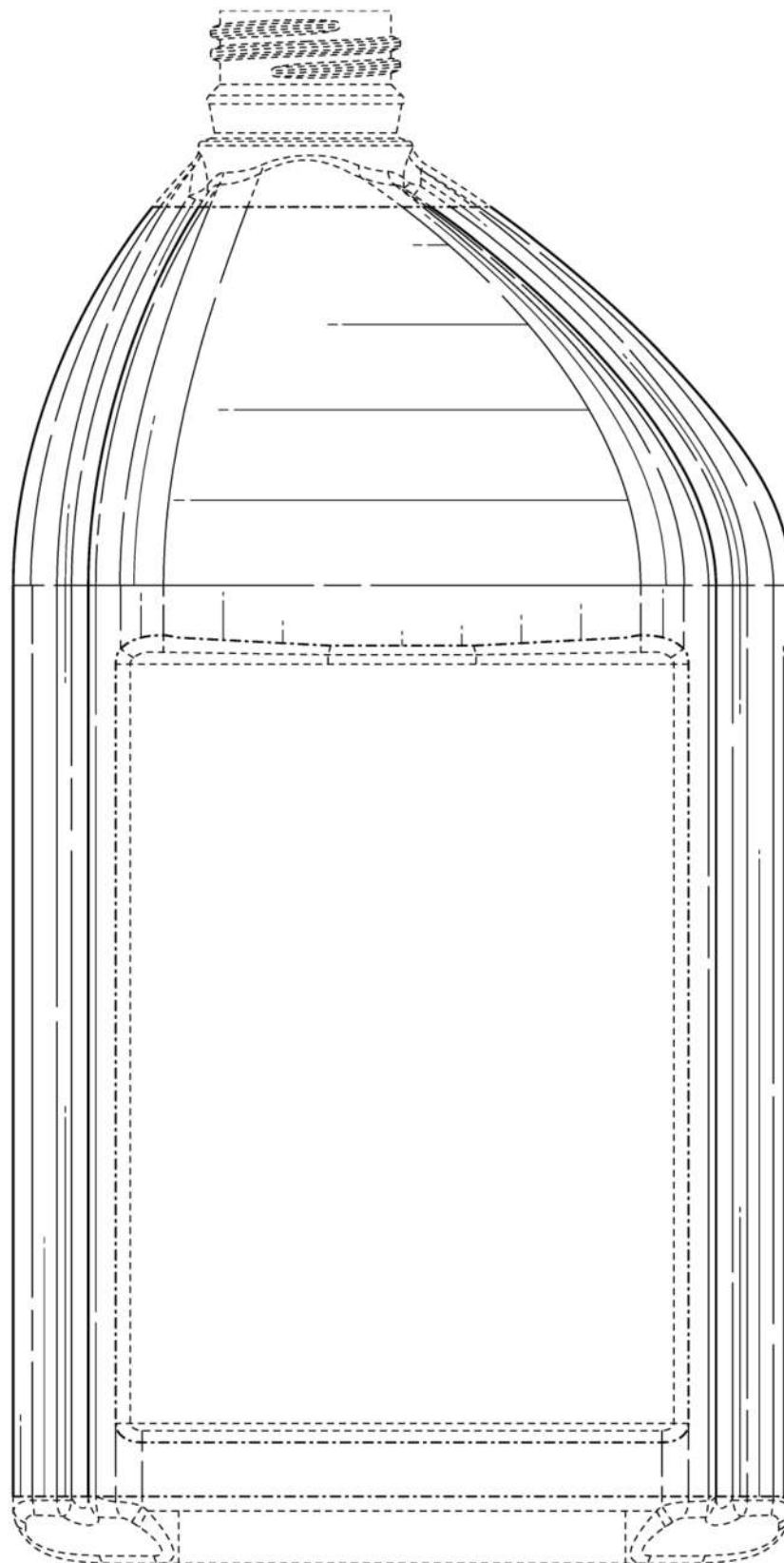


FIG. 9

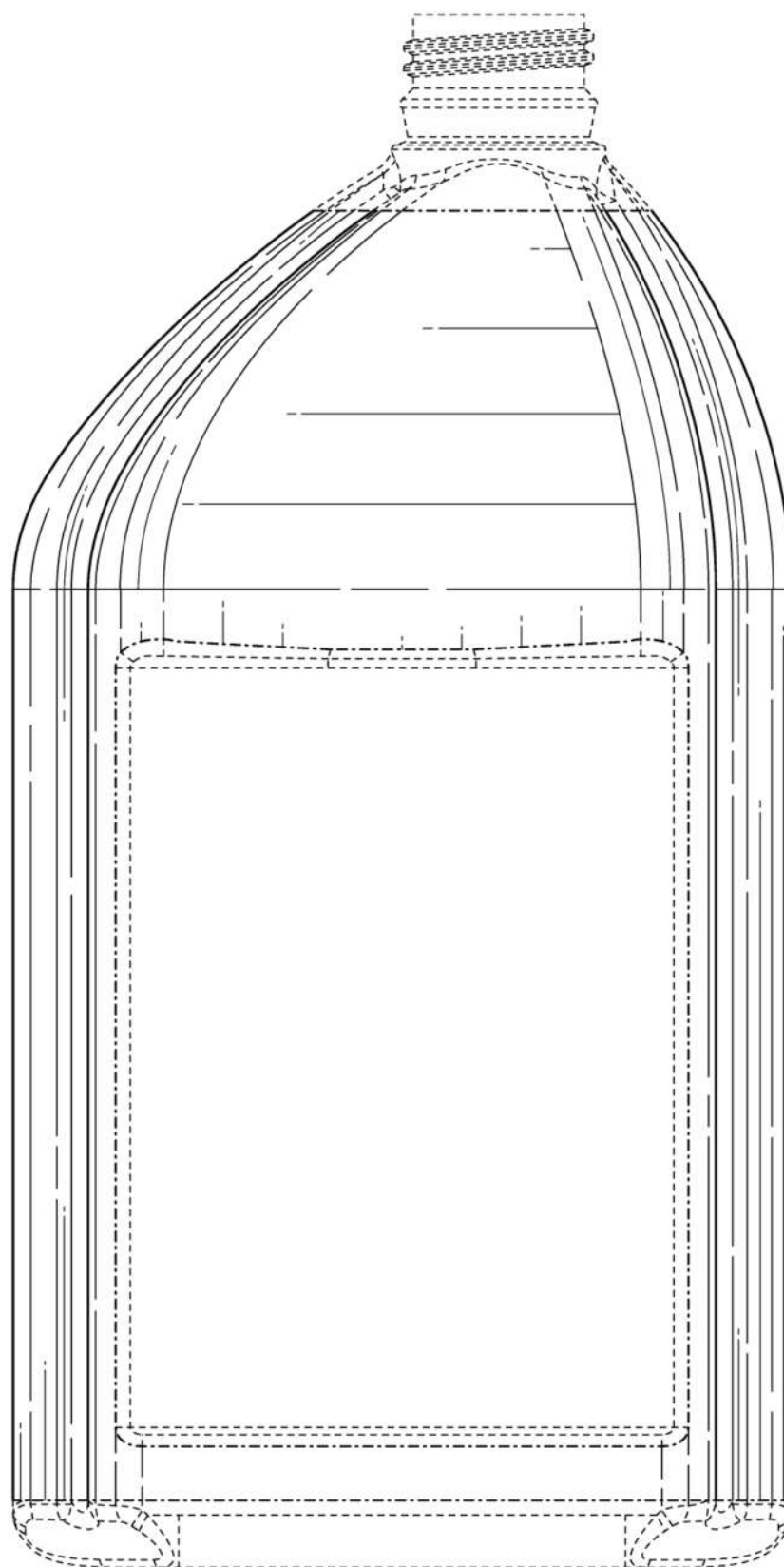


FIG. 10

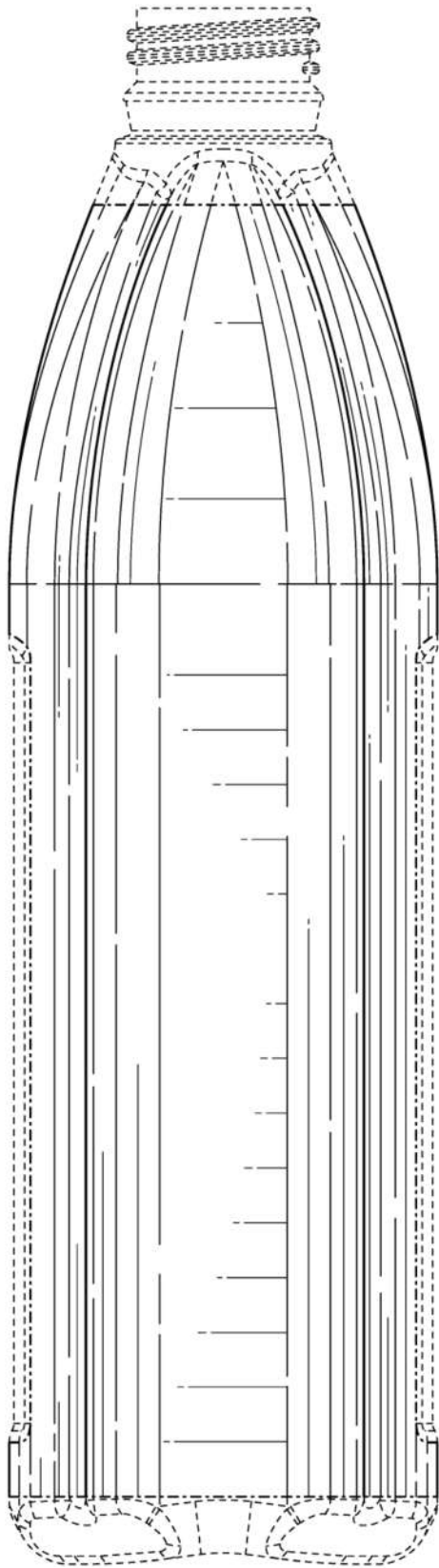


FIG. 11

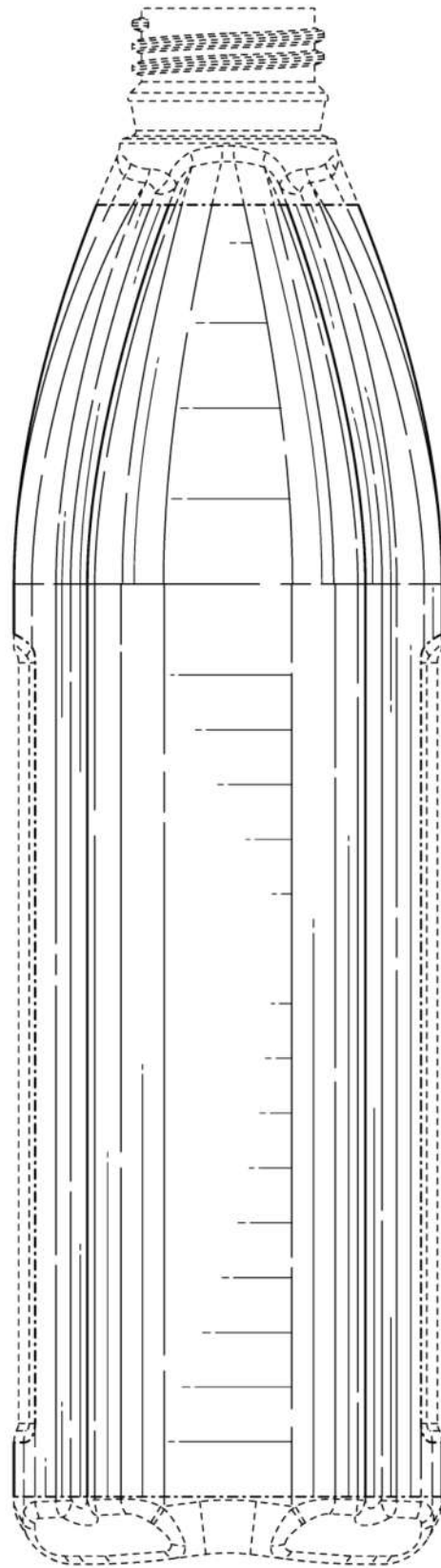


FIG. 12

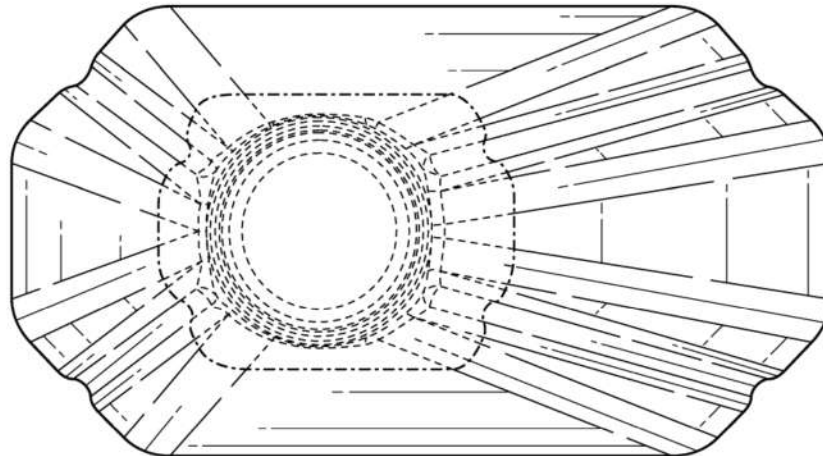


FIG. 13

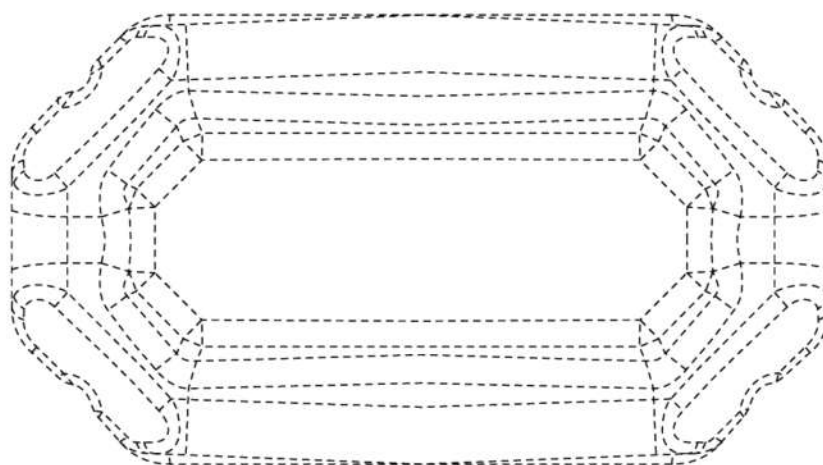


FIG. 14

Simpson, Kelley M.

From: noreply@uspto.gov
Sent: Tuesday, April 30, 2024 12:47 PM
To: Honigman Patent; Sosenko, Eric J.; Rhoades, Ashley L.
Cc: patentcenter_eofficeaction@uspto.gov
Subject: USPTO: Patent Electronic System - eGrant Notification for Customer Number 143773



[EXTERNAL EMAIL]

Dear Patent Center Customer:

Correspondence Address:

Honigman LLP
ENS
650 Trade Centre Way
Suite 200
KALAMAZOO, MICHIGAN, 49002-0402
UNITED STATES

This is a courtesy notification regarding the following USPTO patent application(s) associated with your Customer Number, 143773, that have new eGrant(s) and eCofC(s). The eGrant and eCofC are now available for viewing in Patent Center.

The official date of the eGrant notification will be indicated on the form (e.g., PTOL-90) accompanying the correspondence.

Disclaimer:

The list of documents shown below are provided as a courtesy and is not part of the official file wrapper. The content of the images shown in the Image File Wrapper is the official record.

Application	Patent	Document	Mailroom Date	Attorney Docket No.
29827200	D1024782	EGRANT.NTF	04/30/2024	239642-505648/MAM-003
29827201	D1024783	EGRANT.NTF	04/30/2024	239642-505650/MAM-004

To examine your eGrant and eCofC online, please access [Patent Center](#) then search using the listed application or patent number. To download your eGrant, click on the eGrant and eCofC link on the left-hand menu or select the “Download eGrant” link on the Application data page. To download your eCofC, click on the eGrant and eCofC link on the left-hand menu.

If you have any questions, please contact the [Patent Electronic Business Center](#) (EBC) at ebc@uspto.gov or 866-217-9197 Monday – Friday, 6 a.m. to midnight ET.

Please do not reply to this email as it was sent from an unmonitored mailbox.

Sincerely,

The Patent Center Team

Goebel, Nichole L.

From: Simpson, Kelley M.
Sent: Tuesday, April 30, 2024 1:32 PM
To: Honigman Patent
Subject: 239642-505650 USPTO EGrant Notification US Patent
Attachments: 143773_29827201_04-30-2024_EGRANT.NTF (2).PDF